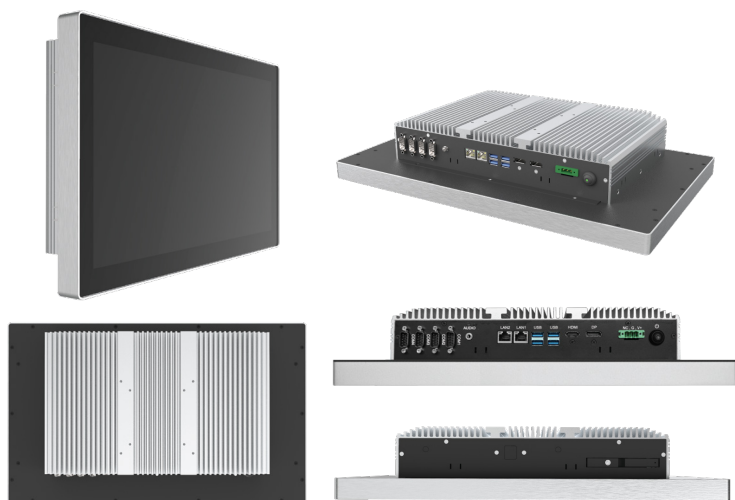


LPC-P170SAG-2Tx

17" (1280*1024) Bezel-Free P-cap Panel PC, Intel® Tigerlake-UP3 Core™ i3/i5/i7 Processors, IP65 Aluminum Front Bezel, AG, Removable 2.5" HDD/SSD Tray, DC 12~24V Wide Range Power Input, -40~70°C



Features

- ▶ Intel® Tigerlake-UP3 Core™ i3/i5/i7 Processors
- ▶ 17" P-cap Flat Bezel
- ▶ 1280*1024 Resolution LCD
- ▶ Bezel-Free Design
- ▶ Fanless Design
- ▶ DC 12~24V Wide Range Power Input
- ▶ IP65 / 66 Front Panel
- ▶ 3-Pin Power Input Terminal Block
- ▶ Optional 1000 nits LED Backlight

System

Processor	Intel® TigerLake-UP3 Core™ i3/i5/i7 Processors
System Memory	2 x DDR4 SO-DIMM, up to 64GB
External I/O Port	4 x USB 3.2 Gen2 Ports 2 x RJ45 GbE LAN (Intel® I225-LM supports 2.5GbE LAN) 1 x Display Port 1 x HDMI 4 x RS-232/422/485 1 x Audio out 1 x Power press button 1 x 3-Pin Terminal Block for Power Input
Storage	1 x 2.5" Storage Bay 1 x M.2 M-key(NVME) 2280 Socket
Operating System	Windows 10 IoT Enterprise 2021 LTSC (64-bit, 21H2) Windows 11 IoT Enterprise (64-bit, 21H2, Pre-scan) Linux Ubuntu 22.04 (64-bit, by request) / Linux Yocto Project 3.1 (64-bit, by request)
Expansion	1 x M.2 B-key 2242/3042 (SATA 3.0, PCIe x1, USB 2.0) 1 x M.2 E-key 2230 (PCIe x1, USB 2.0)

LCD

Display Type	17" TFT LCD
Max. Resolution	1280*1024
Contrast Ratio	800 : 1
Max. Color	16.7M
Luminance	350 nits
View Angle	80/80/60/80

Power Requirement

Power Input	DC 12~24V Wide Range Power Input
-------------	----------------------------------

Touch Screen

Type	17" P-cap USB
------	---------------

Environment

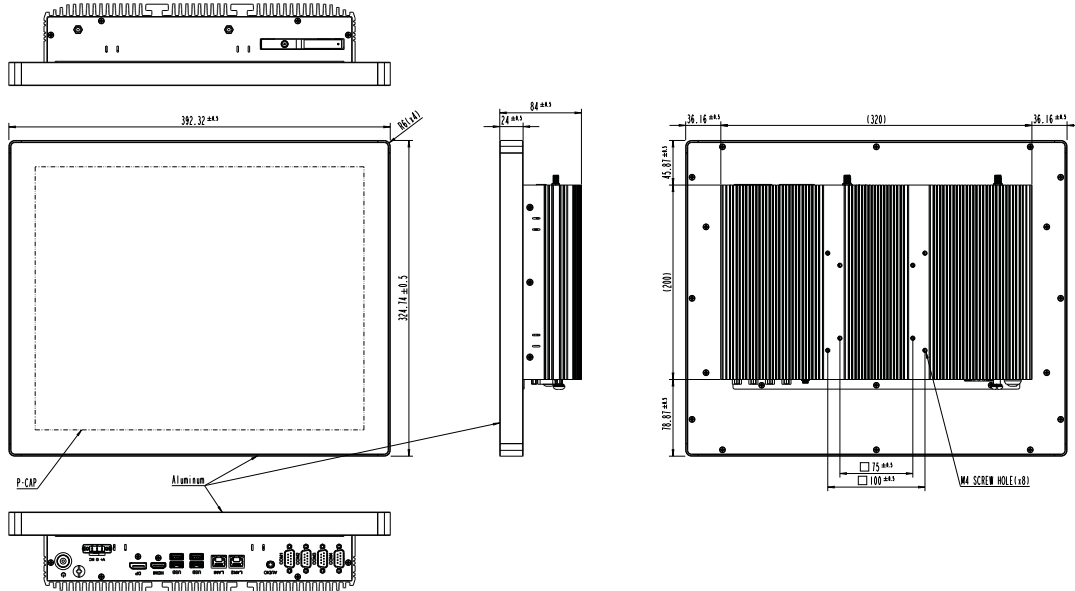
Operating Temp	-40~70 °C , IEC-60068-2-1/2/14
Storage Temp	-40~70 °C
Humidity	10~90% @40 °C, non-condensing
EMC	FCC / CE Class A Certification
Vibration & Shock	MIL-STD-810H, Method 514.8, Procedure I, 5~500Hz (Compliance) MIL-STD-810H, Method 516.8, Procedure I, 20g 11ms (Compliance)

Mechanical

Construction	Aluminum Front Bezel and Metal Case
IP Rating	Front Panel IP65 / IP66 Compliant
Mounting	M4 VESA Mount 75 x 75 / 100 x 100 Panel Mounting
Dimension	392.32 x 324.74 x 84 mm

* All specifications are subject to change without prior notice.

Dimension & I/O Connector



Ordering Information

LPC-P170SAG-2T3	17" (1280*1024) Bezel-Free P-cap Panel PC, Intel® Tigerlake-UP3 Core™ i3-1115G4E, IP65 Aluminum Front Bezel, AG, Removable 2.5" HDD/SSD Tray, DC 12~24V Wide Range Power Input, -40~70°C
LPC-P170SAG-2T5	17" (1280*1024) Bezel-Free P-cap Panel PC, Intel® Tigerlake-UP3 Core™ i5-1145G7E, IP65 Aluminum Front Bezel, AG, Removable 2.5" HDD/SSD Tray, DC 12~24V Wide Range Power Input, -40~70°C
LPC-P170SAG-2T7	17" (1280*1024) Bezel-Free P-cap Panel PC, Intel® Tigerlake-UP3 Core™ i7-1185G7E, IP65 Aluminum Front Bezel, AG, Removable 2.5" HDD/SSD Tray, DC 12~24V Wide Range Power Input, -40~70°C

Ordering Code

LPC-P170SAG-2Tx Series -H / -OB / -B / -AR / -V

H = High Brightness 1000 nits LED backlight

OB = Optical Bonding

B = Glass without touch

AR = Anti-Reflection

V = Vandal Proof Glass (By Project)

* All specifications are subject to change without prior notice.